

**TIMKEN****The Timken Company**

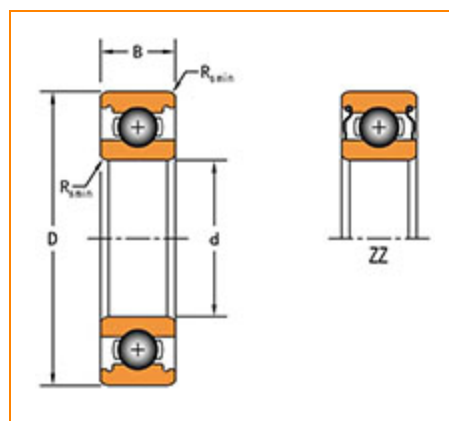
4500 Mt Pleasant St. NW

N. Canton, OH 44720

Phone: (234) 262-3000

E-Mail: [CustomerCAD@timken.com](mailto:CustomerCAD@timken.com) • Web site: [www.timken.com](http://www.timken.com)**Part Number 61809-ZZ, Thin Section Ball Bearings (61700, 61800, 61900)**

Timken's deep groove ball bearings deliver reliable performance in a wide range of applications and conditions. With super-finished raceways and controlled geometries, our premium design helps ensure consistent quality.



[Specifications](#) | [Dimensions](#) | [Basic Load Ratings](#) | [Factors](#)

**Specifications**

Clearance	C0 (Normal)
Bore Size d	45.000 mm
Features	Shields
Weight	0.034 Kg

**Dimensions**

Outside Diameter D	58.000 mm
Outside Ring Width B	7.000 mm
Radius $R_s\ min$	0.300 mm

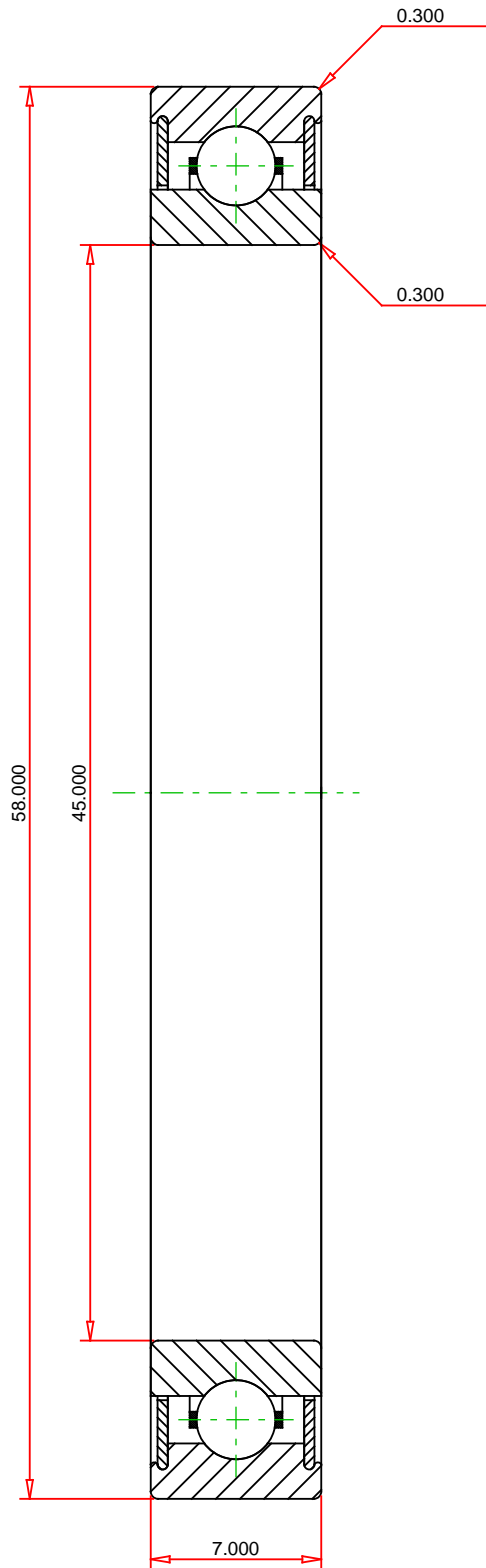


## Basic Load Ratings

Cr - Dynamic Load Rating	6.2 kN
C0r - Static Load Rating	5.40 kN

## Factors

Grease Limiting Speed	11000 rpm
Oil Limiting Speed	13000 rpm



METRIC UNITS

Weight 0.034 kg

**TIMKEN**®

**THE TIMKEN COMPANY**  
NORTH CANTON, OHIO USA

**61809-ZZ**  
Thin Section Ball Bearings (61700, 61800, 61900)

Dynamic Load Rating 6200 N  
Static Load Rating 5400 N

Every reasonable effort has been made to ensure the accuracy of the information contained in this writing, but no liability is accepted for errors, omissions or for any other reason.

**FOR DISCUSSION ONLY**